

SANICUBIC® 2 VX - SINGLE PHASE



Product Ref: SA111

The Sanicubic® 2 VX is one of our largest lifting stations for commercial use handling up to 40m³/hour of black water via two 2kW pumps. It is easy to install as it stands on the floor and does not need to be positioned below ground.

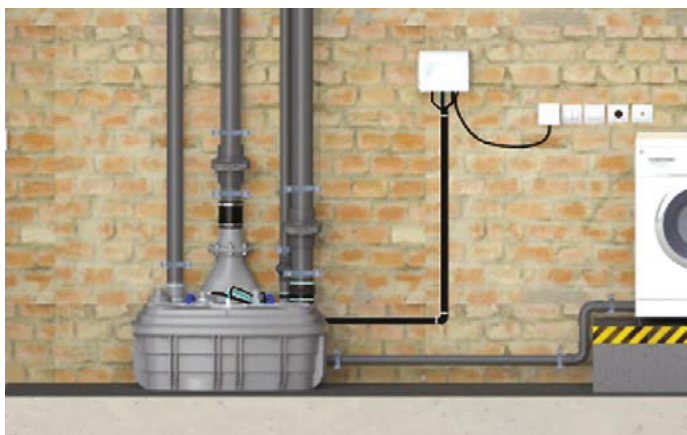
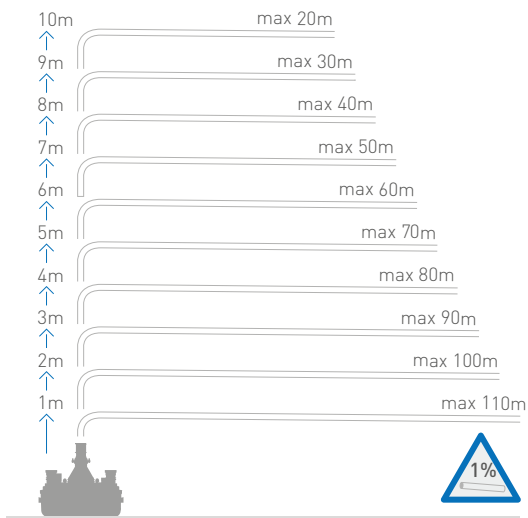
Why choose this product?

- Ideal for large volume commercial situations
- Large bore vortex pump which can pump away waste without the need to macerate
- Easily removable motors for servicing and maintenance
- Large 120 litre tank volume
- Easy to install – no need to excavate
- Two alarms for ultimate safety – both hard-wired
- Two integrated non-return valves and four inlets: 40/50/100/110mm and one inlet 40/50mm
- Centre height of inlets 180mm
- Working temperature of 35°C. Will handle up to 70°C for short periods. (See Sanicom 1 and 2 for higher temperatures and longer periods)
- IP68 rated
- Volt free contact for connection to a Building Management System



Note: Isolation valves must be fitted to the inlet pipework and discharge pipework to isolate the unit in case of the need for service

Vertical/horizontal performance



IP Ratings

IP or "Ingress Protection" ratings specify the environmental protection that the product casing provides and are defined by international standards. They are used to explain levels of sealing effectiveness of electrical enclosures against intrusion from foreign bodies e.g. dust, dirt and moisture.

Sanicubic 2 VX has rating IP68 which gives protection against continuous submersion in water.



Includes hard-wired alarm on externally mounted control box plus secondary hard-wired audio visual alarm with 5m cable, so it can be placed remotely.

Discharge Pipework

80mm pipework maximum vertical lift 10m. 100mm pipework maximum vertical lift 6m.

Motor Power

2000 Watts x 2

Flow Rate

40m³/h

Voltages

220-240 V/50 Hz

Tank Volume

120L

Working Waste Water Temp

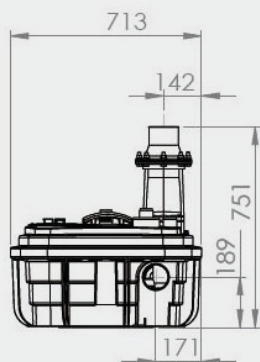
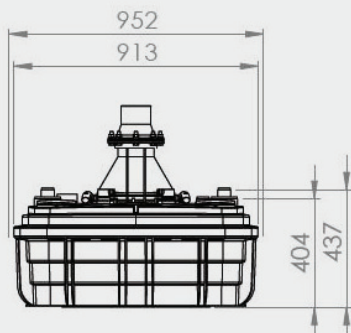
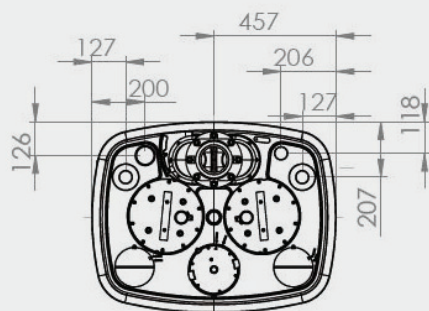
35°C/Max 70°C (Intermittent)

Product Weight

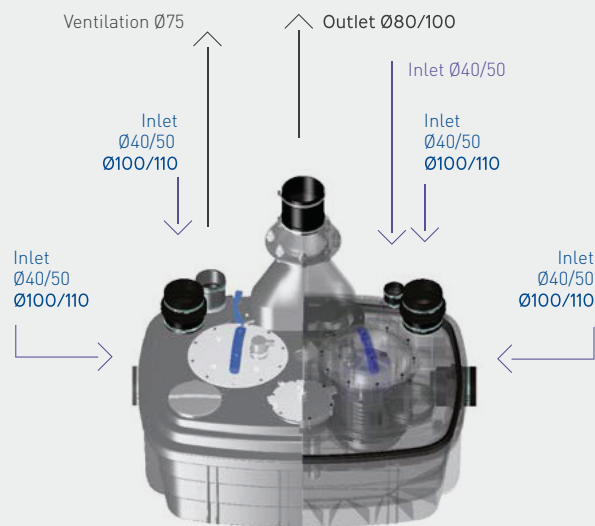
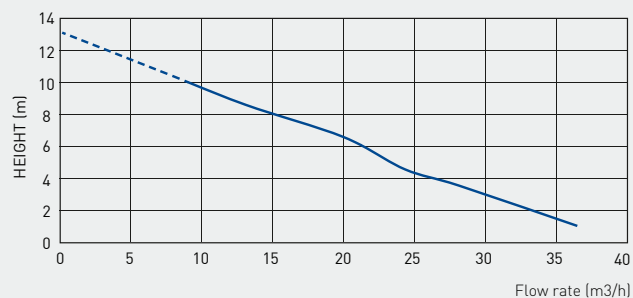
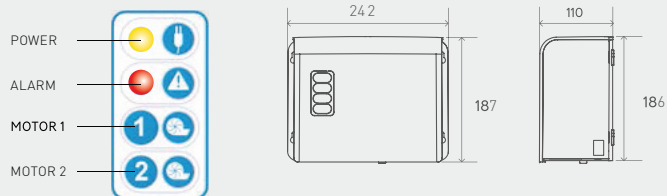
59kg

IP Rating

IP68



Discharge height (m)

**Externally mounted control box****Remote hard-wired audio visual alarm**