



APPLICATIONS



TOILET



HAND BASIN

SANITOP



ATS 5200.101  
Certificate No. 23048  
Manufacturer: SFA  
Brand: Saniflo

Product Reference:  
SA97

# SANITOP®

Sanitop® has a powerful macerator that makes it ideal for installing an additional toilet and hand basin where access to the main sewer is impractical.



### TECHNICAL CHARACTERISTICS

Discharge Pipework	20 mm
Motor Power	400 Watts
Voltages	220-240 V/50 Hz
Working Waste Water Temp	35°C
Product Weight	5.8 kg
Overall Measurements	330 x 263 x 163 mm
Inlet Pipework	40 mm
IP Rating	IP44

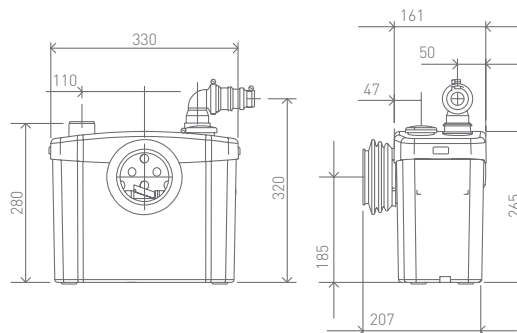
### WHY CHOOSE THIS PRODUCT?

Factory pre-mounted non return valve (supplied)

Can be equipped with Sanialarm (sold separately)

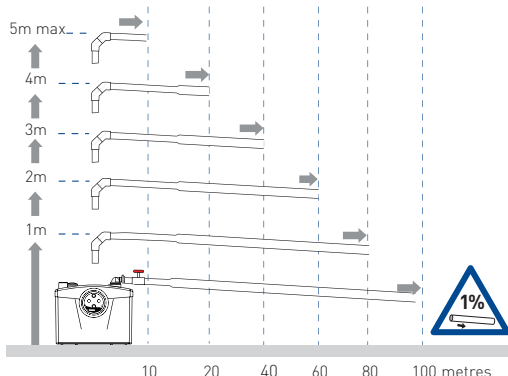
Quiet technology

Macerator needs minimum 4.5 L of unrestricted flush for optimal function

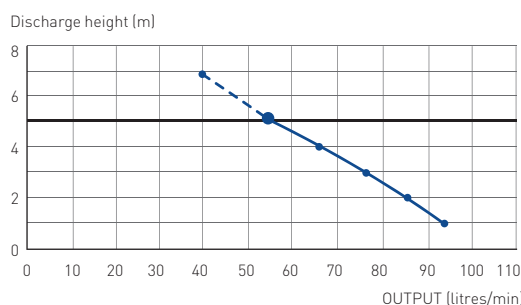


### VERTICAL/HORIZONTAL PERFORMANCE

Increase size of horizontal run by one pipe size after 5m. All horizontal pipework requires a minimum of 1:100 fall.



### FLOW RATE PERFORMANCE CHART



Made in France to the highest standards, needs to be installed by a licensed plumber