



## APPLICATIONS



TOILET



HAND BASIN



SHOWER



WMTS 106:2019  
Certificate No. 23048  
Manufacturer: SFA  
Brand: Saniflo

PRODUCT REFERENCE:  
SA81

## Saniaccess® 3

Designed to provide easy access for en-suite bathroom applications. Convenient access panels allow one to service and maintain the macerator without having to remove it.



### TECHNICAL CHARACTERISTICS

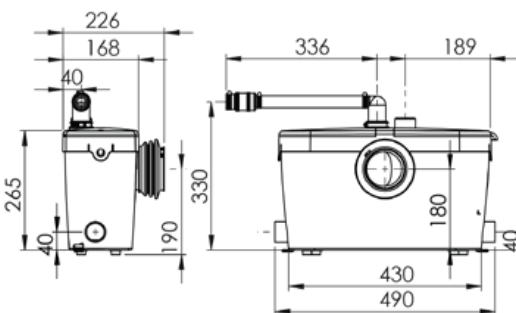
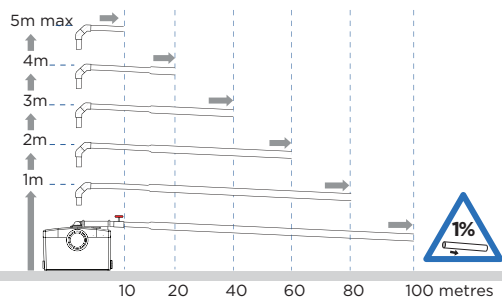
<b>Discharge Pipework</b>	20 mm
<b>Motor Power</b>	400 Watts
<b>Voltages</b>	220-240 V/50 Hz
<b>Working Waste Water Temp</b>	35°C
<b>Product Weight</b>	6.4 kg
<b>Overall Measurements</b>	490 x 330 x 168 mm
<b>Inlet Pipework</b>	40 mm
<b>IP Rating</b>	IP44

### WHY CHOOSE THIS PRODUCT?

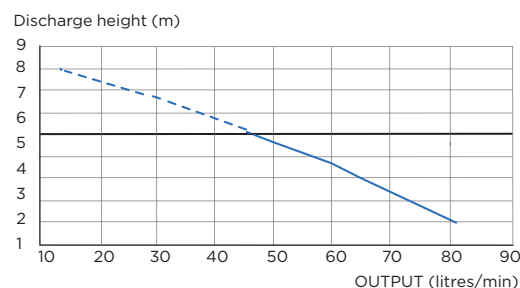
- Easy service access
- Suitable for one toilet, basin and shower
- Easy maintenance without removal of unit
- Macerator needs minimum 4.5 L of unrestricted flush for optimal function
- Quiet technology
- Ideal for adding a complete bathroom or en-suite anywhere

### VERTICAL/HORIZONTAL PERFORMANCE

Increase size of horizontal run by one pipe size after 5m. All horizontal pipework requires a minimum of 1:100 fall.



### FLOW RATE PERFORMANCE CHART



### Double access:

A Direct access to the blade if maintenance is required

B Direct access to electric components