



1V1
02.2023

Sanihair Trap®



Hair trap • Installation manual



Sanihair Trap® Installation Guide

Plumbers/Contractors, please ensure a copy of the installation instructions is left with the end user for future reference.

RECOMMENDEND USE

The **SANIHAIR** hair trap is designed for use in hair salons where excessive hair and lint pose a large risk of blocking pumps, and can incur high ongoing service costs as a result. The installation of a hair trap on hairwash basin drains provides a simple and efficient filter prior to a pump. This cost effective solution gives an easy to maintain and proactive method of preventing loss of business and extends the lifespan of the connected pumps.

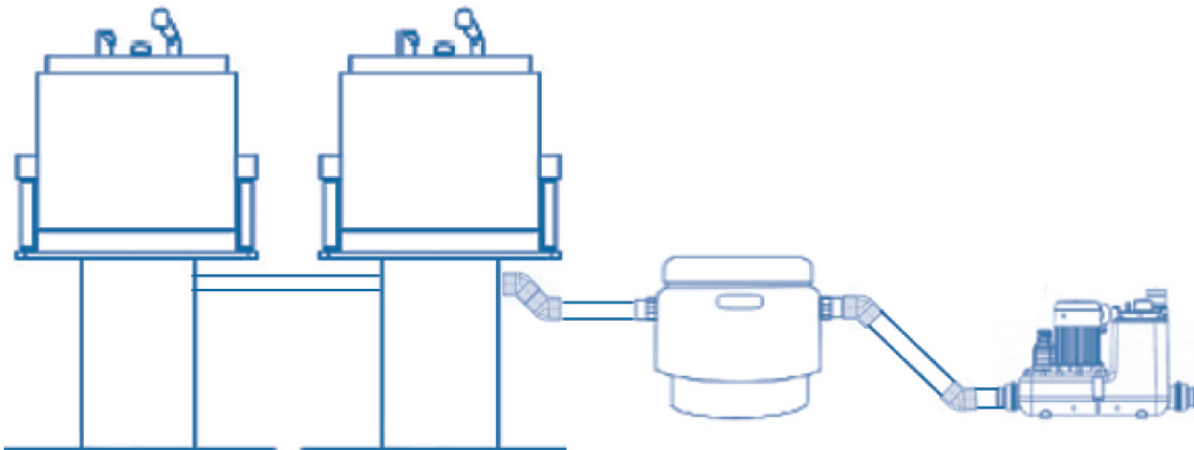
The SANIHAIR hair trap can be connected to up to 3 hair wash basins



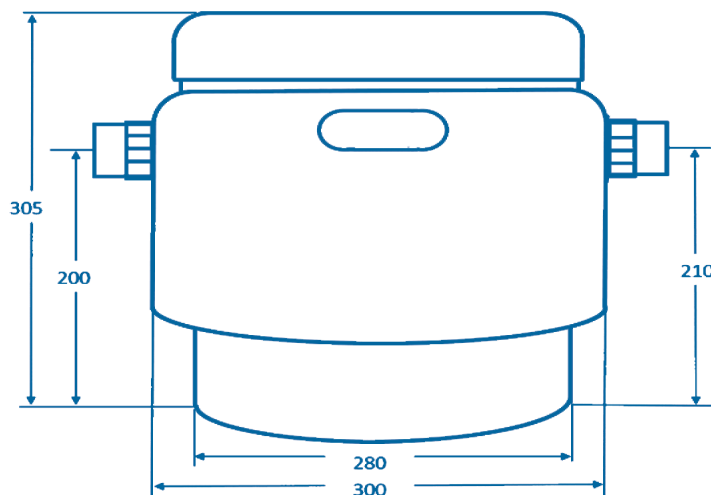
- **DO NOT** dispose of solvents, paints, turps, caustic acid, or other corrosive acids or cleaners.
- **DO NOT** use cleaning products that produce excessive foam, this may cause motor damage to your pump connected to this hair trap.
- **DO** dispose of grey waste water from hair wash basins **ONLY**.

INSTALLATION

Below typical **SANIHAIR** hair trap installation picking up 2 x hair wash basins connected to the pump using 50mm DWV waste pipe. Make sure the hair wash basins are trapped as per the plumbing code.



DIMENSIONS



TECHNICAL CHARACTERISTICS

Waste connections	50mm
Construction material	Polyethylene/PVC
Basket	PVC mesh
Number of basins	3
Dimensions	300x300x305mm

COMMISSIONING

- Once ALL connections are secure to your SANIHAIR hair trap switch the power on to the pump connected to the trap, run the cold water tap for short period and allow water to enter the hair trap which in turn will overflow to the pump.
- Your pump should immediately activate and begin discharging into the discharge pipe system. Initial run time is normally between 5-10 seconds. Duration of run time is generally determined by the length of travel in the pump-out line.
- Pump operation will shut down after this time.
- Check all connections for leaks to both the hair trap and the pump as the final commissioning process.

NOTICE

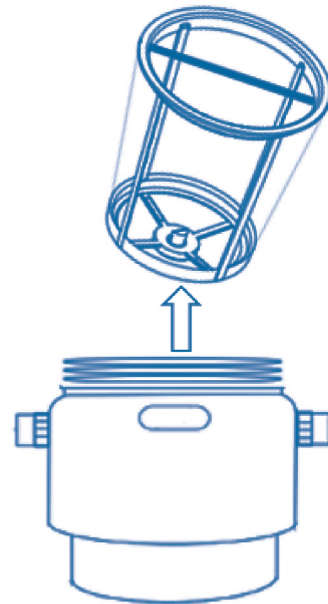


Warranty only applied when the hair trap is connected to Saniflo SFA pumps

MAINTENANCE

To clean the filter basket remove the sealed screw top lid by loosening anti clock wise, once lid has been removed lift the basket by the attached handle whilst tilting the base of the basket slightly away from the protruding waste pipe, this will enable basket removal for cleaning.

Remove hair then rinse the basket before reinstalling, the frequency of cleaning will depend on number of hair wash basins connected and how busy the salon is.



WARRANTY

2 YEAR WARRANTY

This device is guaranteed for 2 years from the date of purchase and is subject to ACL (2) 2010 and NZ CG Act 1993 if used for personal, domestic and household use.

Installation in strict compliance with manufacturers installation.
Read more at pro.saniflo.co.nz/cms/47/warrantyconditions.

WARRANTY CONDITIONS

This warranty will apply only under all of the following conditions:

- **The item has been installed by a licensed plumber**
- **Failure is due to a fault in the manufacture of the product**
- **Proof of purchase (including the date of purchase) is provided**
- **The installation of the product is in accordance with the instructions provided.**

A large, dynamic splash of water in shades of blue, filling the left and top portions of the page. The water is captured in mid-air, with many droplets and bubbles, creating a sense of movement and freshness.

Saniflo  SFA GROUP

Shaking up water

SANIFLO'S DESIGN SERVICE

We know our products well and we also have extensive experience in where they are used.

Contact us on technical@saniflo.com.au and we will help with your projects and plans.

SFA Australia Pty Ltd

Tel: 1300 554 779

General enquiries
info@saniflo.com.au

Technical & project support
technical@saniflo.com.au

WWW.SANIFLO.COM.AU

SFA New Zealand Ltd

Tel: 0800107264

General enquiries
info@saniflo.com.nz

Technical & project support
technical@saniflo.co.nz

WWW.SANIFLO.CO.NZ