



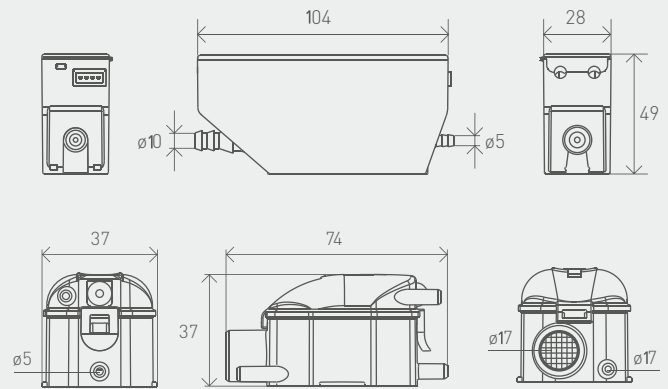
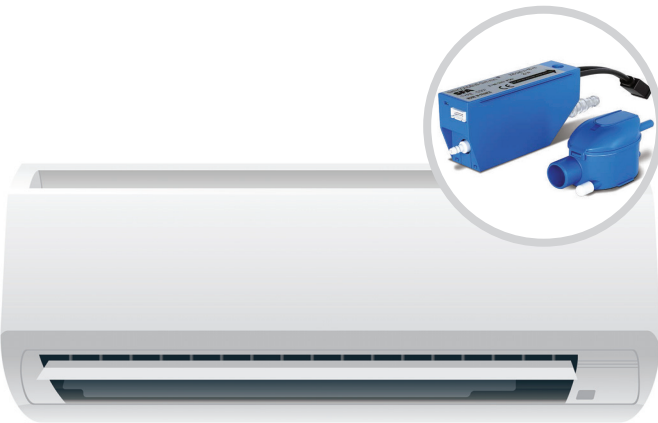
Product Ref: SA110

The Sanicondens® Clim Mini has been specifically designed to expel the condensate from air conditioning units.

Why choose this product?

- Designed for air conditioning units
- Very quiet operation

Why not use a Sanicondens Clim Mini to get a neat decorative finish.



Vertical suction in metres (A)	Vertical pumping in metres (B)	Horizontal pumping in metres (C)			
		5	10	20	30
0	1	10.4	9.1	8.3	7.3
	2	8.9	7.8	7.0	6.4
	3	7.9	7.1	6.3	5.8
	4	7.0	6.0	5.3	4.9
1	1	8.9	8.3	7.5	5.9
	2	7.8	7.3	6.7	6.1
	3	6.9	6.7	5.7	5.4
	4	5.9	5.5	4.9	4.4
1.5	1	7.8	7.6	6.9	6.5
	2	7.1	6.6	6.2	5.7
	3	6.5	5.7	5.1	4.8
	4	5.5	4.8	4.2	3.9

Discharge Pipework
8.5/10.5mm

Flow Rate
15L/h

Motor Power
22 Watts

Product Weight
1.2kg

Voltages
220-240 V/50 Hz

IP Rating
IP20

