

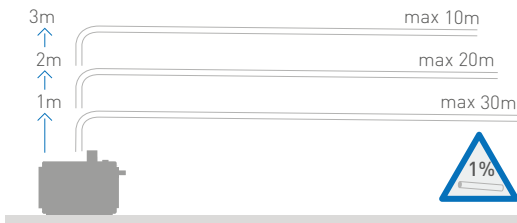
Designed specifically where floor drainage is required but where space underneath is very limited e.g. wet rooms. This two part kit with a powerful shower waste pump and a choice of three waste designs can pump up to 3m vertically as well as 30m horizontally.



Why choose this product?

- Suits walk in showers & low level shower trays
- Ideal for high flow applications
- Pump and waste inlet can be up to 3m apart horizontally
- Dual function - sucks waste up from the gully and pumps waste water away up to 3m vertically or 30m horizontally
- Pump can be sited up to 300mm above the gully
- All gully types are 90mm in diameter
- Wireless activation

Vertical/horizontal performance

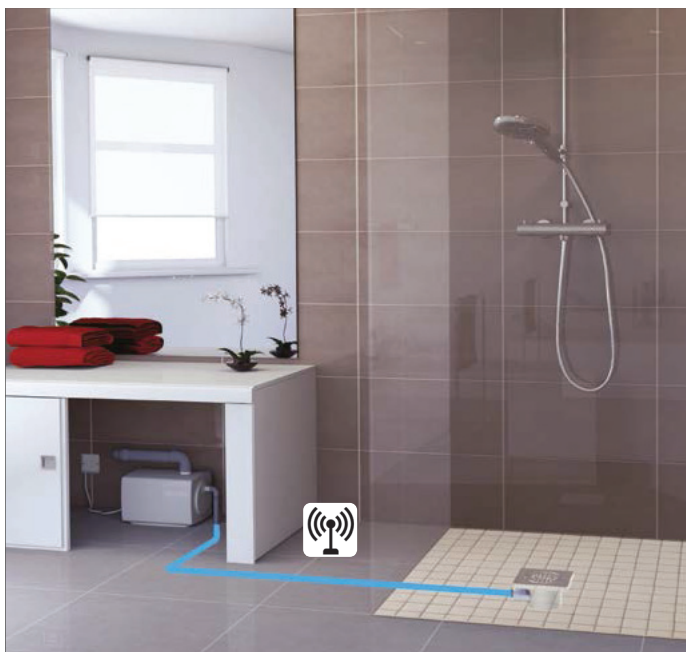
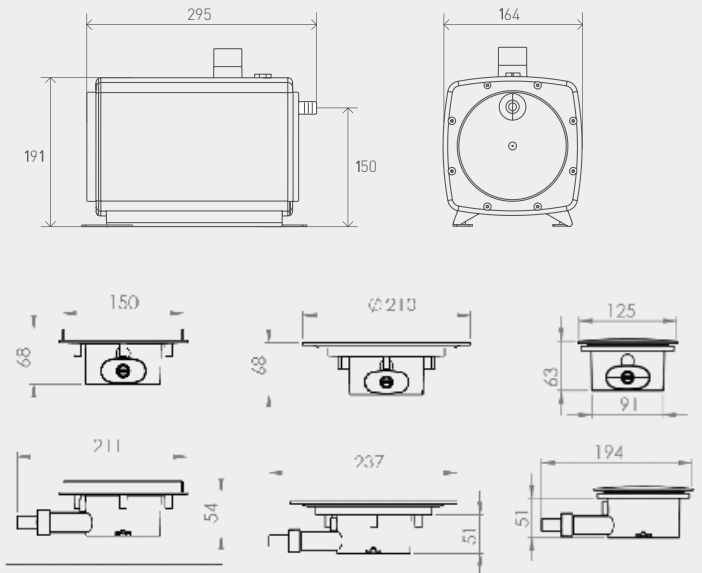


Gully Types

Ref SA112: With shower waste for vinyl floor - Height 68mm

Ref SA113: With shower waste for tiled floor - Height 68mm

Ref SA114: With shower waste for trays - Height 63mm



Discharge Pipework 25mm	Product Weight Sanifloor 7.9kg
Motor Power 400 Watts	IP Rating IP44
Voltages 220-240 V/50 Hz	
Working Waste Water Temp 35°C	

