

# SANISHOWER® +

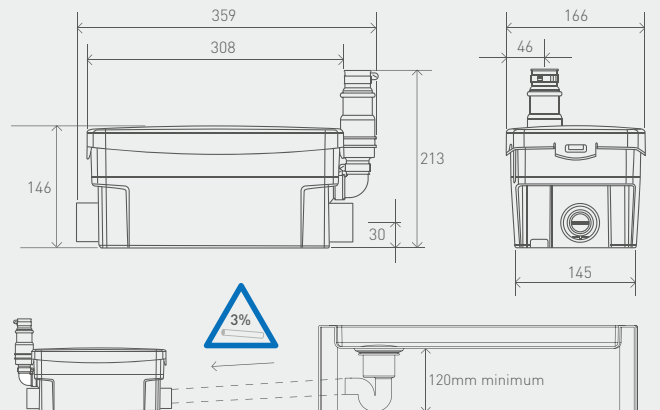
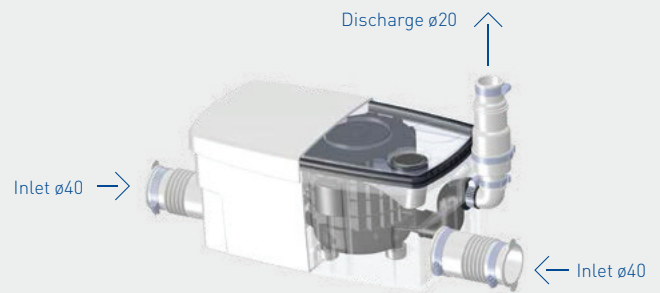
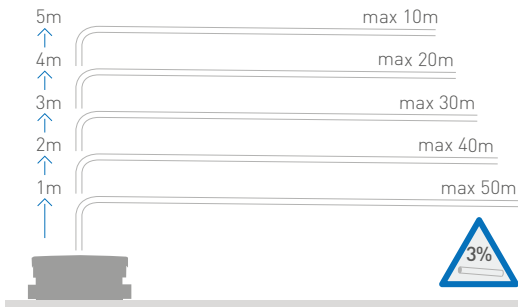
Product Ref: SA94

The low profile design enables the Sanishower®+ to be integrated under a shower tray or discreetly into a cabinet. Perfect for installing a shower and vanity.

## Why choose this product?

- Overcomes gravity drainage issues
- Allows basement showers
- Can be fitted next to shower tray
- Additional inlet for basin
- Includes integrated carbon filter
- Low activation level (65mm)

## Vertical/horizontal performance



### Discharge Pipework

20mm

### Product Weight

3.5kg

### Motor Power

400 Watts

### Inlet Pipework

40mm

### Voltages

220-240 V/50 Hz

### IP Rating

IP44

### Working Waste Water Temp

35°C

### Activation Level

65mm

Discharge height (m)

