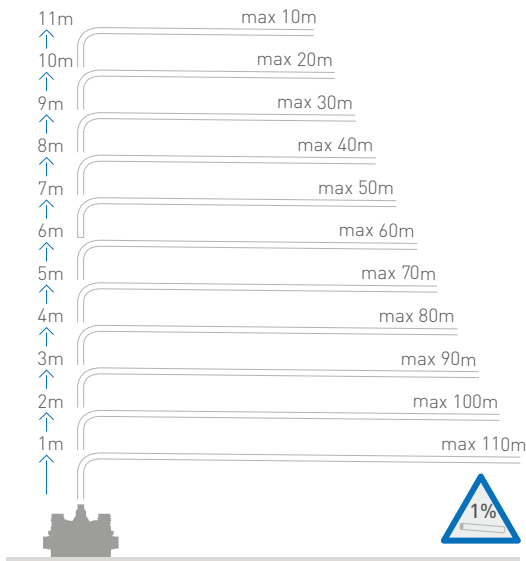


**Sanicubic 1 WP is ideal for use in a granny flat addition as it can remove waste water from multiple fixtures. It features a powerful 1500W motor, high flow rate performance, and an IP68 waterproof rating.**

**Why choose this product?**

- Ideal for additional granny flats and studios
- Tough, reliable macerator pump
- New design with easily removable motor for servicing and maintenance
- Water level indicator unit can be easily removed for maintenance
- External hard wired audio visual alarm
- Features integrated non-return valves
- Centre heights of inlets 140mm
- Working temperature of 35°C. Will handle up to 70°C for short periods. (See Sanicom 1 and 2 for higher temperatures and longer periods)
- IP68 rated
- Cannot be connected to a Building Management System

**Vertical/horizontal performance**



Note: Isolation valves must be fitted to the inlet pipework and discharge pipework to isolate the unit in case of the need for service

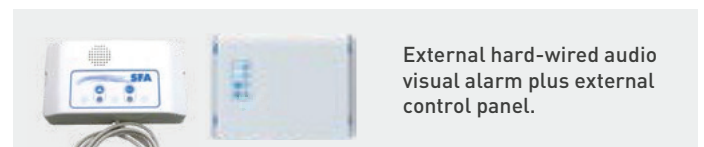
The Sanicubic tank is fitted with 2 dip tubes; one tube controls motor operation and the other controls the alarm system:

- Long pickup tube (normal operation): as soon as the waste water level in the tank reaches the triggering point in the long tube, the pumping system starts up.
- Short pickup tube (inflow overload operation): if the waste water level in the tank reaches the upper point, a contact is closed and the auxiliary pumping system is triggered. The contact also sets off an audible and visual alarm.

**IP Ratings**

IP or "Ingress Protection" ratings specify the environmental protection that the product casing provides and are defined by international standards. They are used to explain levels of sealing effectiveness of electrical enclosures against intrusion from foreign bodies e.g. dust, dirt and moisture.

**Sanicubic 1 has rating IP68 which gives protection against temporary immersion in water.**



External hard-wired audio visual alarm plus external control panel.

**Discharge Pipework**

40mm

**Motor Power**

1500 Watts

**Flow Rate**13m<sup>3</sup>/h**Voltages**

220-240 V/50 Hz

**Tank Volume**

32L

**Working Waste Water Temp**

35°C/Max 70°C (intermittent)

**Product Weight**

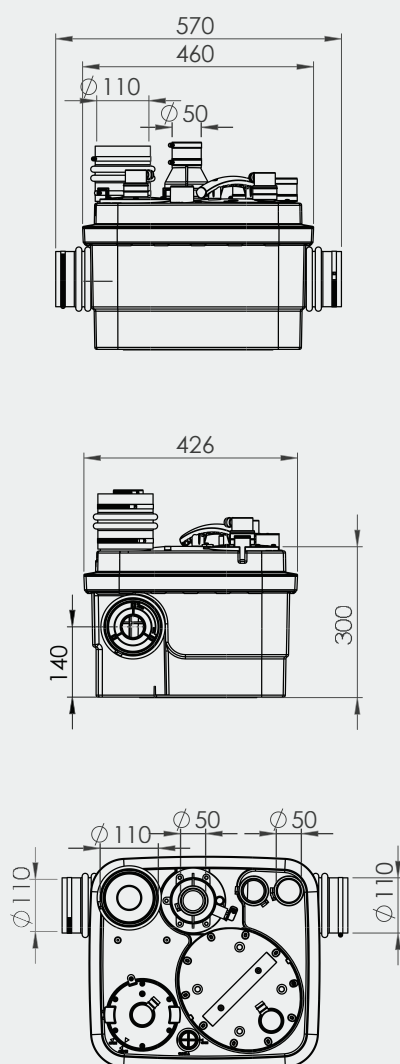
20kg

**Inlet Pipework**

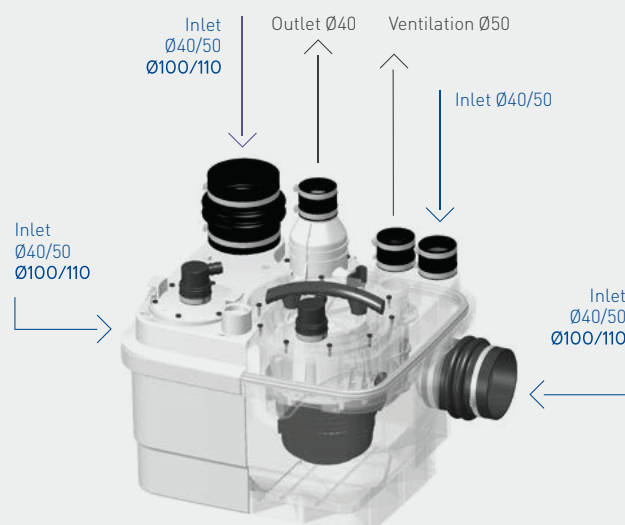
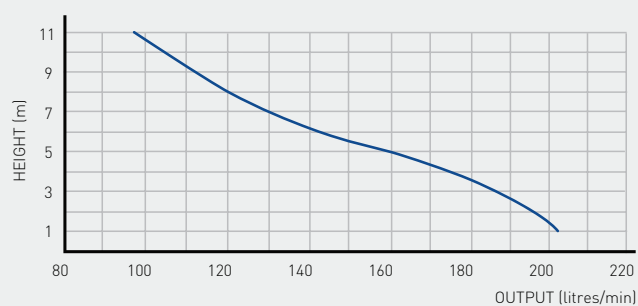
40/50/100/110mm

**IP Rating**

IP68



Discharge height (m)



Remote hard-wired audio visual alarm

