



#### APPLICATIONS



TOILET



SHOWER



BATH



HAND BASIN

SANIBEST PRO



ATS 5200.101  
Certificate No. 23048  
Manufacturer: SFA  
Brand: Saniflo

Product Reference:  
SA100

## SANIBEST® Pro

Sanibest® Pro is a heavy duty Macerator suitable for busy commercial environments.  
Possible connection to a toilet, basin, bath and shower.



#### TECHNICAL CHARACTERISTICS

Discharge Pipework	20 mm
Motor Power	1100 Watts
Voltages	220-240 V/50 Hz
Working Waste Water Temp	35°C
Product Weight	12 kg
Overall Measurements	507 x 267.5 x 154 mm
Inlet Pipework	40 mm
IP Rating	IP44

#### WHY CHOOSE THIS PRODUCT?

Ideal for heavy usage applications

Robust stainless steel macerator blade for intensive use

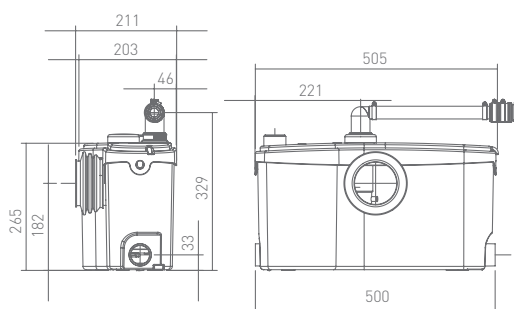
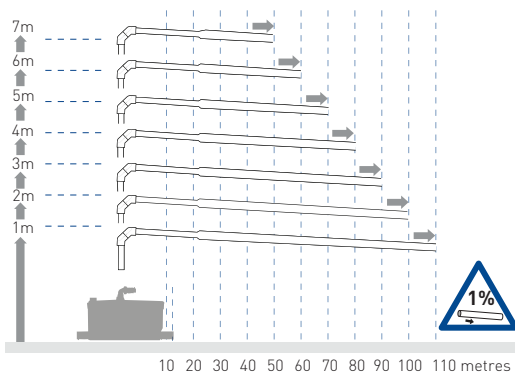
Factory pre-mounted non return valve (supplied)

Macerator needs minimum 4.5 L of unrestricted flush for optimal function

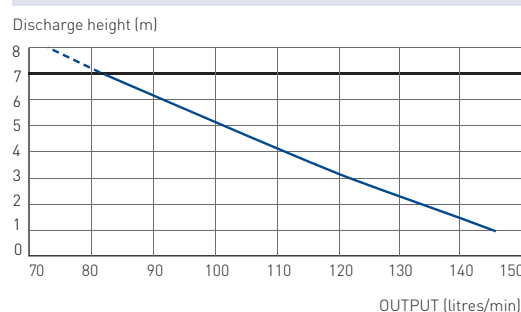
Can be equipped with Sanialarm (sold separately)

#### VERTICAL/HORIZONTAL PERFORMANCE

Increase size of horizontal run by one pipe size after 5m.  
All horizontal pipework requires a minimum of 1:100 fall.



#### FLOW RATE PERFORMANCE CHART



Cover allows easy access to electronic components



Robust blade suitable for heavy usage

Made in France to the highest standards, needs to be installed by a licensed plumber