



#### APPLICATIONS



SANICUBIC 1 GR

Product Reference:  
SA300

# SANICUBIC® 1 GR

Sanicubic® 1 GR is ideal for sloping waterfront properties where a boathouse could be converted to run amenities or rural properties where main drainage is too far away. It features a powerful 2200W motor, high flow rate performance, and an IP68 waterproof rating.

#### WHY CHOOSE THIS PRODUCT?

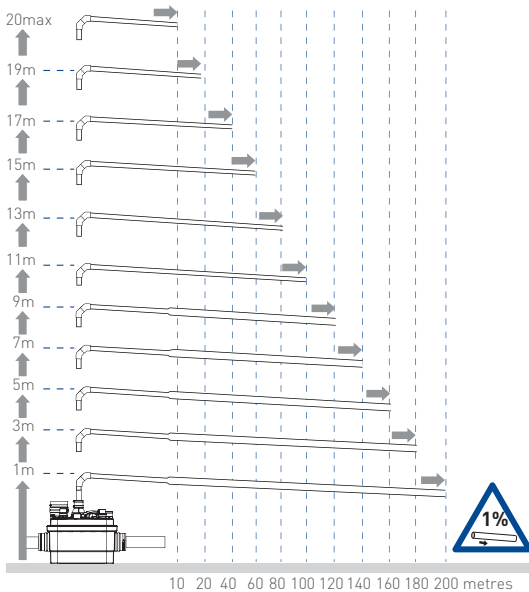
- Compact dimensions
- Tough, reliable macerating lifting station
- Intelligent level controller
- 32 mm non-return ball valve
- External hard wired audio visual alarm
- Features integrated non-return valves
- Will handle up to 55°C intermittent
- IP68 rated

#### TECHNICAL CHARACTERISTICS

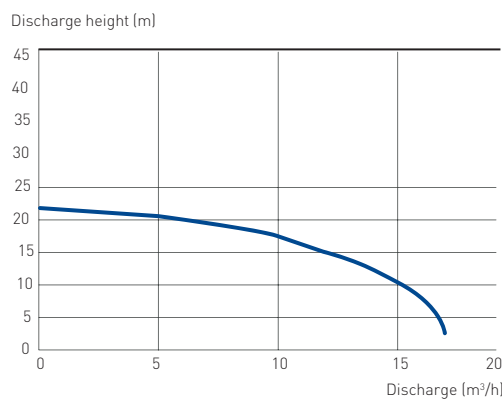
<b>Discharge Pipework</b>	40 mm
<b>Motor Power</b>	2200 Watts
<b>Flow Rate</b>	17 m <sup>3</sup> /h
<b>Voltages</b>	220-240 V/50 Hz
<b>Tank Volume</b>	55 L
<b>Working Waste Water Temp</b>	55°C Max (intermittent)
<b>Product Weight</b>	64 kg
<b>Overall Measurements</b>	570 x 439 x 460 mm
<b>Inlet Pipework</b>	50/100 mm
<b>IP Rating</b>	IP68

#### VERTICAL/HORIZONTAL PERFORMANCE

Increase size of horizontal run by one pipe size after 5m. All horizontal pipework requires a minimum of 1:100 fall.



#### FLOW RATE PERFORMANCE CHART



Made in France to the highest standards, needs to be installed by a licensed plumber



#### APPLICATIONS

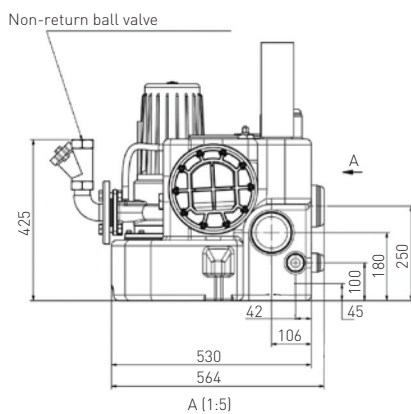


Product Reference:  
SA300

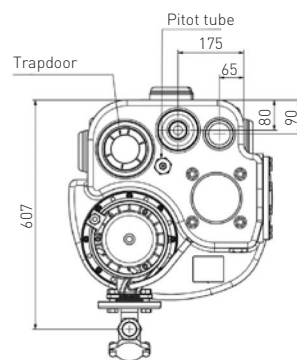
The controller system is operated via program settings which are displayed on the LCD screen. All settings are saved so that they are available when the control system is restarted. The display language can be changed. Besides the actual operational parameters, the controller system also saves the controlling process and records any irregularities which can be displayed on the LCD screen.

#### CHARACTERISTICS OF THE CONTROLLER

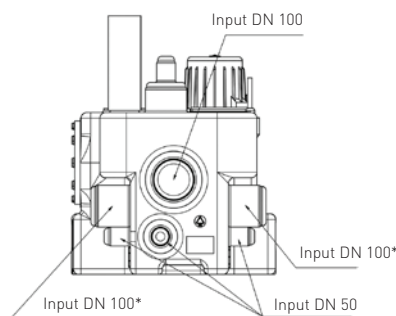
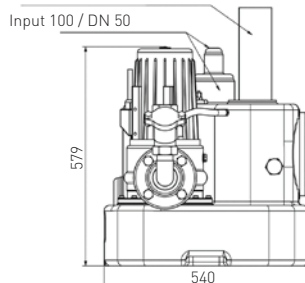
- Clear LCD display
- Internal acoustic alarm
- Programmable operation and fault signal
- Maintenance interval counter
- Recording of the fault protocol
- Electronic monitoring of the motor current
- Internal pressure sensor



A (1:5)



Flexible connection piece DN 65 for vent pipe



\*This entrance must be directed at a height of 250 mm above the ground level directly after the lifting station.

Made in France to the highest standards, needs to be installed by a licensed plumber